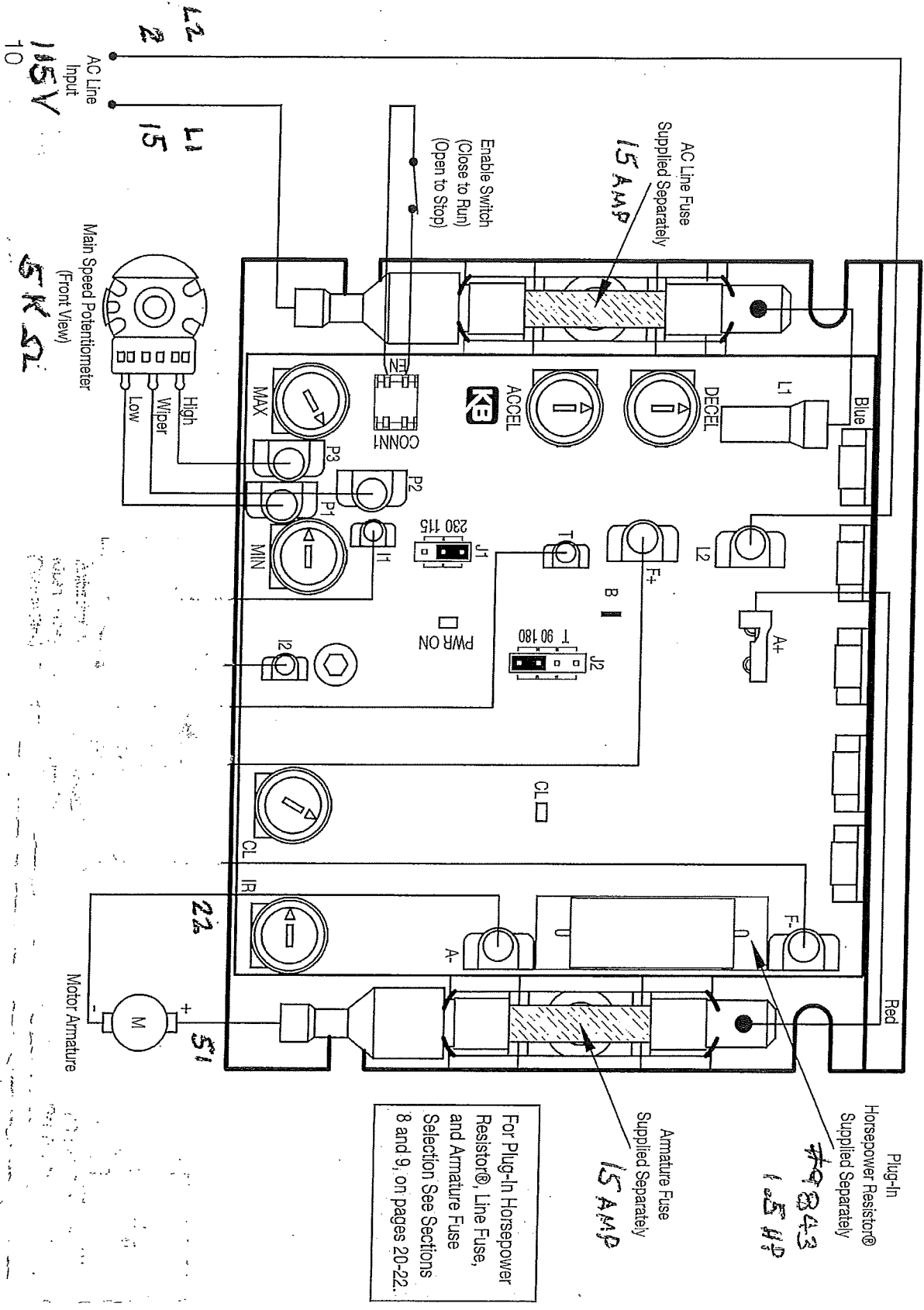


KBMM 125
FIGURE 1 – CONTROL LAYOUT & GENERAL CONNECTION DIAGRAM (Model KBMM-225D Shown)
 (Note: Control is set for 208 /230 VAC line input, 0-180 VDC output with armature feedback)



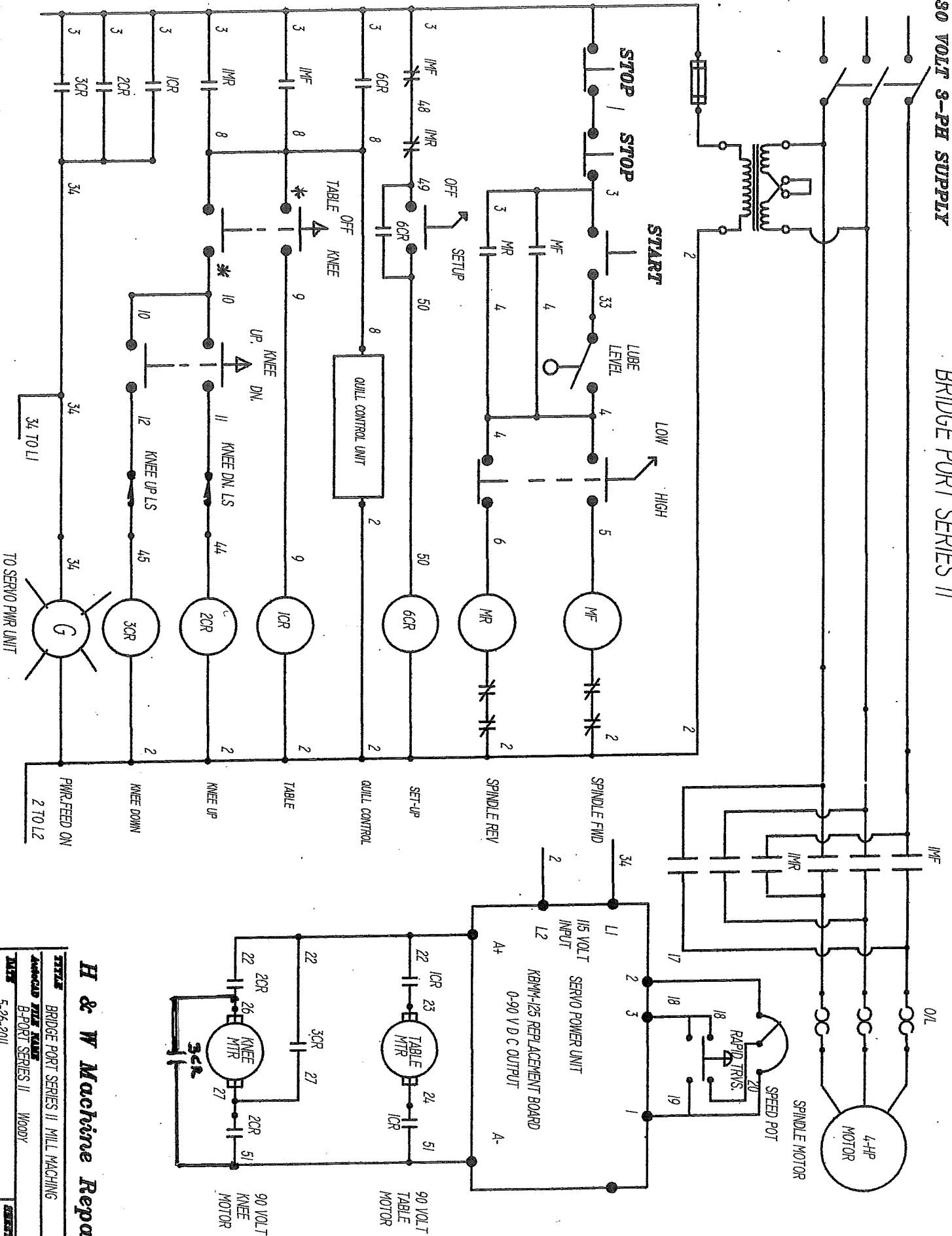
For Plug-In Horsepower Resistor®, Line Fuse, and Armature Fuse Selection See Sections 8 and 9, on pages 20-22.

Plug-In Horsepower Resistor® Supplied Separately
 #9843
 1.25 HP
 Armature Fuse Supplied Separately
 15 AMP

AC Line Input
 15V
 10
 L2 2
 L1 15
 Main Speed Potentiometer (Front View)
 SKSL

230 VOLT 3-PH SUPPLY

BRIDGE PORT SERIES II



H & W Machine Repair

TRIPLE BRIDGE PORT SERIES II MILL MACHING
AMERICAN PIPE REPAIR
 B-PORT SERIES II WOODY
 DATE 5-24-2011