

SHARP

PRECISION MACHINE TOOLS

Sharp Industries, Inc.

3501 Challenger Street
Torrance, CA 90503

Tel 310-370-5990 Fax 310-542-6162

Email: info@sharp-industries.com

Parts: parts@sharp-industries.com

Sales: sales@sharp-industries.com

Support: support@sharp-industries.com

[Http://www.sharp-industries.com](http://www.sharp-industries.com)



2013.01.2000

PRECISION LATHES

Toolroom Lathes (manual, CNC, 4,000 rpm spindle)

Engine Lathes (13"-80" swing, 40"-315" centers)

Hollow Spindle Lathes (6", 9", 12" bore)

CNC Flat Bed Lathes (17", 20", 22" swing, 3.38" bore)



SHARP

PRECISION MACHINE TOOLS

Introduction of company

Sharp Industries, Inc has been supplying quality machine tools for over 35 years. The name SHARP stands for enduring precision and long lasting machine life, a statement that defines not only the products that we sell but the very spirit of our company as well. Since 1976, we have grown into a fine tuned machine tool supplier. As our product has expanded, so has our ability to inventory, ship and support all the machines we sell.

Product Line

- Milling Machines – vertical, horizontal, knee type, bed type, CNC
- Lathes – toolroom, high speed, heavy duty, big bore, hollow spindle, CNC
- Grinders – surface grinders, OD/ID grinders, column moving grinders, CNC
- Radial Drills
- EDM – sinkers, small hole drilling, CNC

Table of content

HIGH PRECISION TOOLROOM LATHE MODEL 1118H.....P.3

HIGHLIGHTS OF MODEL 1118H LATHE.....P.4

CNC TOOLROOM LATHE MODEL 1118H-CNC.....P.5

HIGHLIGHTS OF MODEL 1118H-CNC LATHE.....P.6

13", 14" SWING PRECISION LATHE.....P.7

16", 18" SWING, L, LV SERIES PRECISION LATHE.....P.8

"NC" SERIES CNC FLAT BED LATHE.....P.9

20", 22", 26" SWING "C" SERIES PRECISION LATHE.....P.10

22", 26", 30" SWING "B" SERIES PRECISION LATHE.....P.11

24", 30" SWING "V" SERIES HEAVY DUTY LATHE.....P.12

"M" SERIES HOLLOW SPINDLE LATHE.....P.13, 14

SPECIFICATIONS.....P.15, 16, 17

SPECIFICATIONS.....P.18,19, 20



MODEL 1118H HIGH PRECISION TOOLROOM LATHE

FEATURES :

- 11" x 18" capacity
- 5 HP spindle motor
- Accuracy within 50 millionth TIR
- 4,000 rpm spindle speed
- Quick action compound slide for threading
- Adjustable Thread length control
- Motor control carriage and slide travel
- Built in 5C collet closure



- Enlarged bearing surface of bed way made out of alloy tool steel material
- Individual motor driving carriage and cross slide
- Quick action compound slide allows fast retract at threading



- Digital Vari Speed on spindle
- Universal gearbox for inch and metric threads
- Lead screw and gearbox are engaged only during threading operations

MODEL 1118H-CNC CNC TOOLROOM LATHE WITH FAGOR 8055iA TC CONTROL

FEATURES:

- FAGOR 8055iA TC control, 10" color LCD
- 2 axes AC servo drive system
- Programmable speed 4,000 rpm
- 14.5" swing over bed, 12-3/8" over carriage
- 2 front mounted electronic handwheel (MPG)
- Gang type or quick change tool
- 5 HP motor
- Pneumatic 5C collet closure



Easy Operating Modes FAGOR 8055iA TC

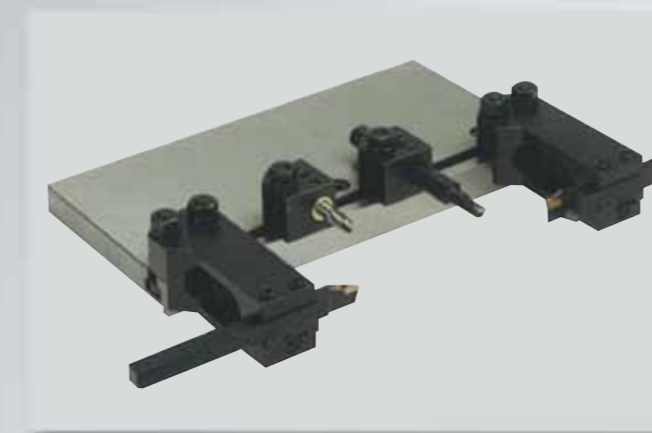
- Manual Mode – using 2 electronic hand wheels to move 2 axes
- Semi-automatic Mode – using 1 electronic hand wheel to move 2 axes, for arcs, tapers or chamfering
- Full CNC Mode – execute by programming
- Teach-in Mode – run machine by hand, control records in programming, then run subsequent parts by recorded program
- Single Step Mode – machine executing program step by step
- **Flexible language** – Machine execute by conversational or G-code language



Gang-type machining showing additional tool plate (standard) mounted on top of cross slide, equipped with various tool holders and tools (optional).



Air operated collet closure (with foot switch) is provided as a standard accessory for quick and easy release of a workpiece. A pull-down style chip guard protects the operator from flying chips. Full length splash guard is mounted at the back to contain coolant splashing and flying chips.



Tool plate (standard) shown with tool holders and tools (optional)

13", 14" SWING PRECISION LATHE 15" SPINDLE BORE, D1-4 CAMLOCK PRECISION LATHE

Model 1340VS – 13"x 40", Digital Vari Speed (40-2,000 rpm)

Model 1440V – 14" x 40", Digital Vari Speed (30-2,200 rpm)

Model 1440F – 14" x 40", Geared Head, 16 speeds (45-1,800 rpm)

FEATURES:

- Hardened and ground bed ways with removable gap
- Vari-speed models include Hi-Low step gear
- Push-pull knob on apron controls feed direction of carriage
- Extra wide bed way (8.5") and cross slide (13.5") construction
- Jog button for easy gear engagement



Model 1340VS lathe

16", 18" SWING, L, LV, SERIES PRECISION LATHE

3.18" Spindle Bore, D1-8 Camlock Spindle

16", 18" Swing Over Bed,

40", 60", 80" Centers Distance

12 Steps Geared Head (L), Vari-Speed Geared Head (LV)

FEATURES:

- 3.18" spindle bore
- One piece Meehanite casting bed
- 12 steps speed geared head (Model L), or Vari-speed geared head (Model LV)
- 7.5 HP motor
- D1-8 Camlock Spindle



Model 1640LV



Vari-Speed Geared Headstock

"NC" SERIES CNC FLAT BED LATHE

17", 20", 22", Swing Over Bed
40", 60", 80" Centers Distance
3.38" Spindle Bore

FEATURES:

- FAGOR 8055iA TC CNC control
- User friendly conversational programming
- 3.38" Spindle bore, D1-8 Camlock spindle
- Geared Head drive with 3 step speed change
- Programmable speed change
- 10 HP motor
- One piece Meehanite casting bed



20", 22", 26" SWING "C" SERIES PRECISION LATHE

3.12" Spindle Bore, D1-8 Camlock Spindle
20", 22", 26" Swing Over Bed
40", 60", 80" Centers Distance
12 Steps Speed Geared Head Construction

FEATURES:

- 3.12" spindle bore
- 10 HP (20" swing), 15 HP (22", 26" swing)
- 12 speeds (15 – 1,500 rpm) geared head construction, except 2040C (40 – 2000 rpm)
- One Piece Meehanite casting bed



22", 26" 30" SWING "B" SERIES PRECISION LATHE

4.5" Spindle Bore, 15.75" Wide Bed
22", 26", 30" swing Over Bed
40", 80", 100", 120", 160" Centers Distance
12 Steps Speed Geared Head Construction

FEATURES:

- 4.5" spindle bore
- 15 HP motor
- Rapid traverse on models with centers distance 100" and up
- D1-11 camlock spindle
- 12 speeds (10-1,000 rpm)



24", 30" SWING "V" SERIES HEAVY DUTY LATHE

4.13" Spindle Bore, 19" Wide Bed
24", 30" swing Over Bed
80", 120", 160" Centers Distance
Geared Head Construction

FEATURES:

- 4.13" spindle bore, 19" wide bed, D1-11 Camlock spindle
- 15 HP motor, 18 speeds (10-1,200 rpm)
- Clutched type geared head
- Wide thread range (1/4 TPI – 84 TPI)(60)
- Multiple thread
- Automatic lubrication system
- 4 way rapid traverse on carriage



"M" SERIE HOLLOW SPINDLE LATHE

6", 9", 12" Spindle Bore
40", 50", 60", 70", 80" Swing Over Bed
60" ~ 315" Centers Distance
24" or 32" Wide Bed

FEATURES:

- One piece, high grade Meehanite casting for the base of machine
- Extra 3rd way support on front of bed
- 2 sizes of bed width to choose from, 24" or 32" bed width
- Electro-Magnetic brake
- 4 way rapid traverse (std.) or 6 way rapid traverse (opt.) on carriage
- Double chucks available as option



- Apron controls allow forward / reverse and rapid traverse motions of the cross slide. 4 ways and 6 ways rapid traverse on the top slide are available as options. Jog button is also located at the front of the apron.
- Top of the cross slide ways are hardened and ground, underside of the slide ways are Turcite coated for wear resistant movement along the bed ways.



- The headstock casting is designed with 3 point bearing support for the full length of the alloy steel precision spindle shaft.
- Spindle bore sizes are available in 6", 9" and 12" Double chucks are available as options.
- Gears and shafts are made from hardened and ground alloy steel, the spindle is made from forged, chrome alloy material.
- Fully enclosed quick change gear box allows easy change of wide range of inch, metric, MP and DP threads without exchanging gears. Coarse Inch thread is available up to 1/4 TPI.



- The oversized 24" or 32" wide bedways are induction hardened and ground for long lasting accuracy.
- An additional third bed way is provided on the front of the bed, giving extra support to the carriage during heavy cutting conditions.



- Tailstock is equipped with a 2 step quill feed for ease of infeed. Large hand crank allows convenient positioning of tailstock. For larger models, motorized quill feed and power drive tailstock units are available as options. (picture shows optional power driven tailstock unit)

Specifications

MODEL	1118H	1118H-CNC	1340VS	1440F (V)	1640L (LV)	1660L (LV)	1860L (LV)	1880L (LV)	1740NC	2040NC	2280NC	2040C	2060C	2280C	2680C	2280B	22100B	22120B
Capacity																		
Swing over bed	11"	14.3"	13"	14"	16"	16"	18.5"	18.5"	17.31"	20"	22"	20"	20"	22"	26"	22"	22"	22"
Swing over gap	9"	12"	18.5"	20"	24.38"	24.38"	27.13"	27.13"	26"	28.7"	30.7"	28.5"	28.5"	31"	35"	31"	31"	31"
Swing over cross slide	6"	5.7"	8.26"	8.62"	8.75"	8.75"	11.8"	11.8"	7.5"	12"	13.7"	11.5"	11.5"	13.2"	17.24"	13.2"	13.2"	13.2"
Distance between centers	18"	18"	40"	40"	40"	60"	60"	80"	40"	40"	80"	40"	60"	80"	80"	80"	100"	120"
Spindle																		
Spindle Speed (standard)(rpm)	130-4000	0-4000	-	45-1800 (F)	20-2000 (L)	235-2000 (L)	40-2000 (L)	40-2000 (L)	-	-	-	15-1500	15-1500	15-1500	15-1500	10-1000	10-1000	10-1000
Spindle Speed (vari-speed)	-	-	40-2000 (VS)	30-2200 (V)	20-2000 (LV)	20-2000 (LV)	20-2000 (LV)	20-2000 (LV)	10-2000	10-2000	10-2000	-	-	-	8	-	-	-
Spindle Bore Taper	-	-	MT5	MT5	MT7	MT7	MT7	MT7	MT5	MT5	MT5	MT7	MT7	MT7	MT7	MT7	MT7	MT7
Spindle Nose Type (Camlock)	-	-	D1-4	D1-4	D1-8	D1-8	D1-8	D1-8	D1-8	D1-8	D1-8	D1-8	D1-8	D1-8	D1-8	D1-11	D1-11	D1-11
Spindle Bore	-	-	1.57"	1.5"	3.14"	3.14"	3.14"	3.14"	3.38"	3.38"	3.38"	3.34"	3.34"	3.34"	3.34"	4.72"	4.72"	4.72"
Travel and Feed Range																		
Cross Slide Travel	6"	11.2"	6.69"	7"	8.7"	8.7"	9.88"	9.88"	11"	11"	11"	10.8"	10.8"	12"	13.75"	11.8"	11.8"	11.8"
Compound Slide Travel	3"	8.65"	3.5"	4"	4.9"	4.9"	5.3"	5.3"	-	-	-	5.3"	5.3"	6.2"	6.2"	7.8"	7.8"	7.8"
Cross Slide Width	-	-	4.5"	6.75"	7.2"	7.2"	7.2"	7.2"	8.26"	8.26"	8.26"	8.26"	8.26"	8.26"	8.26"	8.26"	8.26"	8.26"
Bed																		
Bed Length / Width	-	-	64" / 7.5"	66" / 8.13"	59" / 111.76"	77" / 11.75"	79" / 11.75"	99" / 11.75"	78" / 13"	78" / 13"	118" / 13"	83" / 13.75"	83" / 13.75"	120.5" / 15.75"	130.5" / 15.75"	120" / 15.75"	130" / 15.75"	153" / 15.75"
Threading																		
Inch Threads (tpi)	11-108	-	2-56	4-112	4-56	4-56	4-56	4-56	-	-	-	2-56	2-56	2.56	2.56	2-56	2-56	2-56
Metric Threads (mm)	0.275-2.7	-	0.5-12	0.45-7.5	0.5-7	0.5-7	0.5-7	0.5-7	-	-	-	0.5-7	0.5-7	0.5-14	0.5-14	0.5-14	0.5-14	0.5-14
Leadscrew Pitch, Diameter	8tpi, 1"	8tpi, 1"	8 tpi, 0.875"	8 tpi, 0.875"i	4 tpi, 1.375"	4 tpi, 1.375"	4 tpi, 1.375"	4 tpi, 1.375"	1.57"	1.57"	1.57"	4 tpi, 1.5"	4 tpi, 1.5"	4 tpi, 1.5"	4 tpi, 1.5"	4 tpi, 1.5"	4 tpi, 1.5"	4 tpi, 1.5"
Longitudinal Feeds (in/rev)	-	-	0.0016-0.046	0.0012-0.0294	0.002-0.03	0.002-0.03	0.002-0.03	0.002-0.03	8m/min	8m/min	8m/min	0.002-0.032	0.002-0.032	0.002-0.032	0.002-0.032	0.002-0.032	0.002-0.032	0.002-0.032
Cross Feeds (in/rev)	-	-	0.0005-0.015"	0.0003-0.01"	0.0008-0.011"	0.0008-0.011"	0.0008-0.011"	0.0008-0.011"	6m/min	6m/min	6m/min	0.005-0.018"	0.005-0.018"	0.005-0.018"	0.005-0.018"	0.005-0.018"	0.005-0.018"	0.005-0.018"
Tailstock																		
Quill Travel	3.75"	3-3/4"	4"	4.5"	5"	5"	5.5"	5.5"	6.3"	6.3"	6.3"	6.5"	6.5"	6.5"	6.5"	6.5"	6.5"	6.5"
Quill Diameter/Taper	1.358" / MT2	1.36" / MT2	1.57" / MT3	1.77" / MT3	2.28" / MT4	2.28" / MT4	2.67" / MT4	2.67" / MT4	2.95" / MT5	2.95" / MT5	2.95" / MT5	3" / MT5	3" / MT5	3.34" / MT5	3.34" / MT5	3.34" / MT5	3.34" / MT5	3.34" / MT5
General																		
Motor	5 hp	5 hp	3 hp	3 hp	7.5 hp	7.5 hp	7.5 hp	7.5 hp	10HP	10HP	15HP	10 hp	10 hp	15 hp	15 hp	15 hp	15 hp	15 hp
Electricity (440V. optional)	220V / 440V	220V / 440V	220V	220V	220V / 440V	220V / 440V	220V / 440V	220V / 440V	220V	220V	220V	220V / 440V	220V / 440V	220V / 440V	220V / 440V	220V / 440V	220V / 440V	220V / 440V
Machine Dimensions (Inch)	72" x 28" x 63"	83" x 34" x 70"	74.3" x 20.2" x 45.8"	75.5" x 29" x 47"	65" x 32" x 47"	105" x 32" x 47"	105" x 32" x 49"	126" x 32" x 49"	100" x 83" x 82"	100" x 83" x 82"	139" x 83" x 82"	85" x 32" x 52"	105" x 32" x 52"	137" x 41" x 50"	137" x 41" x 52"	137" x 41" x 50"	157" x 41" x 50"	186" x 41" x 50"
Machine Net Weight (approx.. lbs.)	2300	2300	1540	1650	3600	4100	4500	5300	3960	4620	5720	5200	5200	5900	6550	6250	7280	7960

• Specifications subject to change without notice.

Specifications

MODEL	22160B	2680B	26100B	2480V
Capacity				
Swing over bed	22"	26"	26"	24"
Swing over gap	31"	35"	35"	33"
Swing over cross slide	13.2"	17.24"	17.24"	14.56"
Distance between centers	160"	80"	100"	80"
Spindle				
Spindle Speed (standard)(rpm)	10-1000	10-1000	10-1000	10-1200
Spindle Speed (vari-speed)	-	-	-	-
Spindle Bore Taper	MT7	MT7	MT7	MT5
Spindle Nose Type (Camlock)	D1-11	D1-11	D1-11	D1-11
Spindle Bore	4.72"	4.72"	4.72"	4.13"
Travel and Feed Range				
Cross Slide Travel	11.8"	13.75"	13.75"	14.75"
Compound Slide Travel	7.8"	7.8"	7.8"	9"
Cross Slide Width	8.26"	8.26"	8.26"	9.84"
Bed				
Bed Length / Width	183" / 15.75"	120.5" / 15.75"	130.5" / 15.75"	130.7" / 19"
Threading				
Inch Threads (tpi)	2-56	4-56	4-56	0.25-84
Metric Threads (mm)	0.5-14	0.5-14	0.5-14	0.2-112
Leadscrew Pitch, Diameter	4 tpi, 1.5"	4 tpi, 1.5"	4 tpi, 1.5"	2 tpi, 1.5"
Longitudinal Feeds (in/rev)	0.002-0.032	0.002-0.032	0.002-0.032	0.0015-0.2
Cross Feeds (in/rev)	0.005-0.018"	0.005-0.018"	0.005-0.018"	0.0006-0.16"
Tailstock				
Quill Travel	6.5"	6.5"	6.5"	7.6"
Quill Diameter/Taper	3.34" / MT5	3.34" / MT5	3.34" / MT5	3.14" / MT5
General				
Motor	15 hp	15 hp	15 hp	15 hp
Electricity (440v. optional)	220V / 440V	220V / 440V	220V / 440V	220V / 440V
Machine Dimensions (inch)	226" x 41" x 50"	137" x 41" x 52"	157" x 41" x 52"	140" x 46" x 59"
Machine Net Weight (approx., lbs.)	7960	6556	7430	7700

• Specifications subject to change without notice.

Specifications

MODEL	4060M	4060M-32	5060M	5060M-32	6060M	6060M-32	7080M	7080M-32	8080M-32
CAPACITY									
Swing over bed	40"	40"	50.4"	50.4"	60.2"	60.2"	70.9"	70.9"	80.3"
Swing over cross slide	27.9"	24.0"	38.2"	34.2"	40"	44.9"	58.7"	54.7"	64.2"
Swing over gap	57"	51.1"	67.3"	61.4"	77.2"	71.3"	87.8"	81.9"	91.3"
Width of gap (spindle face)	22.4"	23.4"	22.4"	23.4"	22.4"	23.4"	22.4"	23.4"	23.4"
Distance between centers	60"	60"	60"	60"	60"	60"	80"	80"	80"
Opt. Centers Distance (in)	80,120,160,200,240	80,120,160,200,240	80,120,160,200,240	80,120,160,200,240	80,120,160,200,240	80,120,160,200,240	120,160,200,240,315	120,160,200,240,315	120,160,200,240,315
BED									
Width of bed	24"	32"	24"	32"	24"	32"	24"	32"	32"
Length of bed	133"	153"	133"	153"	133"	153"	154"	173"	173"
Opt. Bed length	154"- 311"	173"- 330"	173"- 330"	173"- 330"	154"- 390"	173"- 409"	193"- 390"	212"- 409"	212"- 409"
HEADSTOCK									
Spindle bore	6"	6"	6"	6"	6"	6"	6"	6"	6"
Optional Spindle Bore	9", 12"	9", 12"	9", 12"	9", 12"	9", 12"	9", 12"	9", 12"	9", 12"	9", 12"
6" bore Spindle speed range	4 - 420 rpm	4 - 420 rpm	4 - 420 rpm	4 - 420 rpm	4 - 420 rpm	4 - 420 rpm	4 - 420 rpm	4 - 420 rpm	4 - 420 rpm
9", 12" bore Spindle speed range	7 - 266 rpm	7 - 266 rpm	7 - 266 rpm	7 - 266 rpm	7 - 266 rpm	7 - 266 rpm	7 - 266 rpm	7 - 266 rpm	7 - 266 rpm
6" bore Spindle speed number	16	16	16	16	16	16	16	16	16
9", 12" bore speed number	12	12	12	12	12	12	12	12	12
Spindle nose	A2-11	A2-11	A2-11	A2-11	A2-11	A2-11	A2-11	A2-11	A2-11
9" bore spindle nose	A2-15	A2-15	A2-15	A2-15	A2-15	A2-15	A2-15	A2-15	A2-15
12" bore spindle nose	A2-20	A2-20	A2-20	A2-20	A2-20	A2-20	A2-20	A2-20	A2-20
CARRIAGE									
Cross slide travel	23.6"	27.6"	23.6"	27.6"	23.6"	27.6"	23.6"	27.6"	27.6"
Compound rest travel	14.6"	15.8"	14.6"	15.8"	14.6"	15.8"	14.6"	15.8"	15.8"
Width of carriage	31.5"	34.7"	31.5"	34.7"	31.5"	34.7"	31.5"	34.7"	34.7"
Max. cutting tool size	1.57" x 1.57"	1.57" x 1.57"	1.57" x 1.57"	1.57" x 1.57"	1.57" x 1.57"	1.57" x 1.57"	1.57" x 1.57"	1.57" x 1.57"	1.57" x 1.57"
THREADS									
Inch threads	0.25-30 TPI (70)	0.25-30 TPI (70)	0.25-30 TPI (70)	0.25-30 TPI (70)	0.25-30 TPI (70)	0.25-30 TPI (70)	0.25-30 TPI (70)	0.25-30 TPI (70)	0.25-30 TPI (70)
Metric threads	1-120 mm (62)	1-120 mm (62)	1-120 mm (62)	1-120 mm (62)	1-120 mm (62)	1-120 mm (62)	1-120 mm (62)	1-120 mm (62)	1-120 mm (62)
Diametral threads	1-120 DP (70)	1-120 DP (70)	1-120 DP (70)	1-120 DP (70)	1-120 DP (70)	1-120 DP (70)	1-120 DP (70)	1-120 DP (70)	1-120 DP (70)
Module thread	0.25-30 M (53)	0.25-30 M (53)	0.25-30 M (53)	0.25-30 M (53)	0.25-30 M (53)	0.25-30 M (53)	0.25-30 M (53)	0.25-30 M (53)	0.25-30 M (53)
Leadscrew diameter & pitch	2.36"dia., 2 TPI	2.36"dia., 2 TPI	2.36"dia., 2 TPI	2.36"dia., 2 TPI	2.36"dia., 2 TPI	2.36"dia., 2 TPI	2.36"dia., 2 TPI	2.36"dia., 2 TPI	2.36"dia., 2 TPI
FEEDS									
Longitudinal feeds	.0024 - .28 ipr	.0024 - .28 ipr	.0024 - .28 ipr	.0024 - .28 ipr	.0024 - .28 ipr	.0024 - .28 ipr	.0024 - .28 ipr	.0024 - .28 ipr	.0024 - .28 ipr
Longitudinal rapid traverse	82.6 ipm	82.6 ipm	82.6 ipm	82.6 ipm	82.6 ipm	82.6 ipm	82.6 ipm	82.6 ipm	82.6 ipm
Cross feeds	.0012 - .14 ipr	.0012 - .14 ipr	.0012 - .14 ipr	.0012 - .14 ipr	.0012 - .14 ipr	.0012 - .14 ipr	.0012 - .14 ipr	.0012 - .14 ipr	.0012 - .14 ipr
Cross rapid traverse	41.3 ipm	41.3 ipm	41.3 ipm	41.3 ipm	41.3 ipm	41.3 ipm	41.3 ipm	41.3 ipm	41.3 ipm
Feed rod diameter	1.26"	1.26"	1.26"	1.26"	1.26"	1.26"	1.26"	1.26"	1.26"
TAILSTOCK									
Quill travel	12"	12"	12"	12"	12"	12"	12"	12"	12"
Quill taper	MT #6	MT #6	MT #6	MT #6	MT #6	MT #6	MT #6	MT #6	MT #6
Quill diameter	4.53"	7.88"	4.53"	7.88"	4.53"	7.88"	4.53"	7.88"	7.88"
MOTOR									
Main motor	30 HP	30 HP	30 HP	30 HP	30 HP	30 HP	30 HP	30 HP	30 HP
Optional motor	40 HP, 50 HP	40 HP, 50 HP	40 HP, 50 HP	40 HP, 50 HP	40 HP, 50 HP	40 HP, 50 HP	40 HP, 50 HP	40 HP, 50 HP	40 HP, 50 HP
Rapid motor	1 HP	1 HP	1 HP	1 HP	1 HP	1 HP	1 HP	1 HP	1 HP
Coolant motor	1/8 HP	1/8 HP	1/8 HP	1/8 HP	1/8 HP	1/8 HP	1/8 HP	1/8 HP	1/8 HP
GROSS WT. (approx.)	19,000 lbs	22,000 lbs	20,900 lbs	24,900 lbs	22,200 lbs	26,000 lbs	23,800 lbs	27,200 lbs	34,100 lbs
Longer centers gross wt.	see dimensions chart	see dimensions chart	see dimensions chart	see dimensions chart	see dimensions chart	see dimensions chart	see dimensions chart	see dimensions chart	see dimensions chart
Dimensions	161 x 80 x 59"	187 x 85 x 61"	161 x 80 x 64"	186 x 85 x 66"	161 x 81 x 69"	187 x 85 x 71"	161 x 81 x 74"	187 x 85 x 76"	187 x 85 x 81"
Longer centers dimensions	see dimensions chart	see dimensions chart	see dimensions chart	see dimensions chart	see dimensions chart	see dimensions chart	see dimensions chart	see dimensions chart	see dimensions chart

• Specifications subject to change without notice.

* Proper foundation and environmental controls are required.
 ***All Prices and Specifications Subject to Change without Notice. Please Verify.